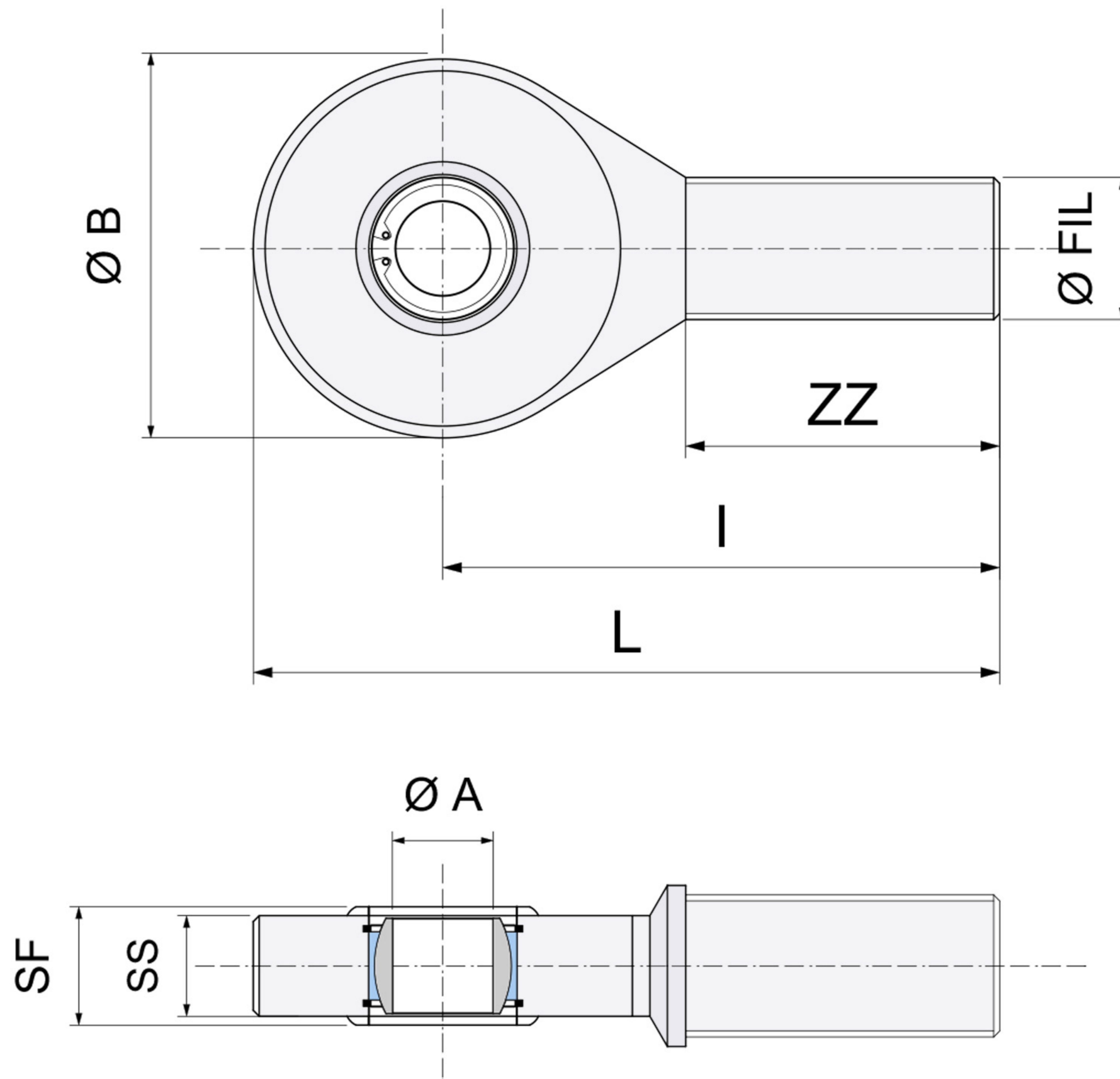


FE-D

TERMINALE A SNODO ISO 12240-4 BALL JOINT END ISO 12240-.4



	A	I	SS	B	SF	L	FIL	ZZ
FE6D	6	36	6	21	4.4	46.5	M6x1	18
FE8D	8	42	8	24	6	54	M8x1.25	22
FE10D	10	48	9	29	7	62.5	M10x1.5	27
FE12D	12	54	10	34	8	71	M12x1.75	30
FE15D	15	63	12	40	10	83	M14x2	34
FE17D	17	69	14	46	11	92	M16x2	36
FE20D	20	78	16	53	13	106.5	M20x1.5	43
FE25D	25	94	20	64	17	126	M24x2	53
VERSIONE	CON 2RS							
FE30D	30	110	22	73	19	146.5	M30x2	65
FE35D-2RS	35	140	25	82	21	181	M36x3	82
FE40D-2RS	40	150	28	93	23	196	M39x3	86
FE45D-2RS	45	163	32	102	27	214	M42x3	94
FE50D-2RS	50	185	35	112	30	241	M45x3	106
FE60D-2RS	60	210	44	135	38	277.5	M52x3	115
FE70D-2RS	70	235	49	160	42	315	M56x4	125
FE80D-2RS	80	270	55	180	48	360	M64x4	140