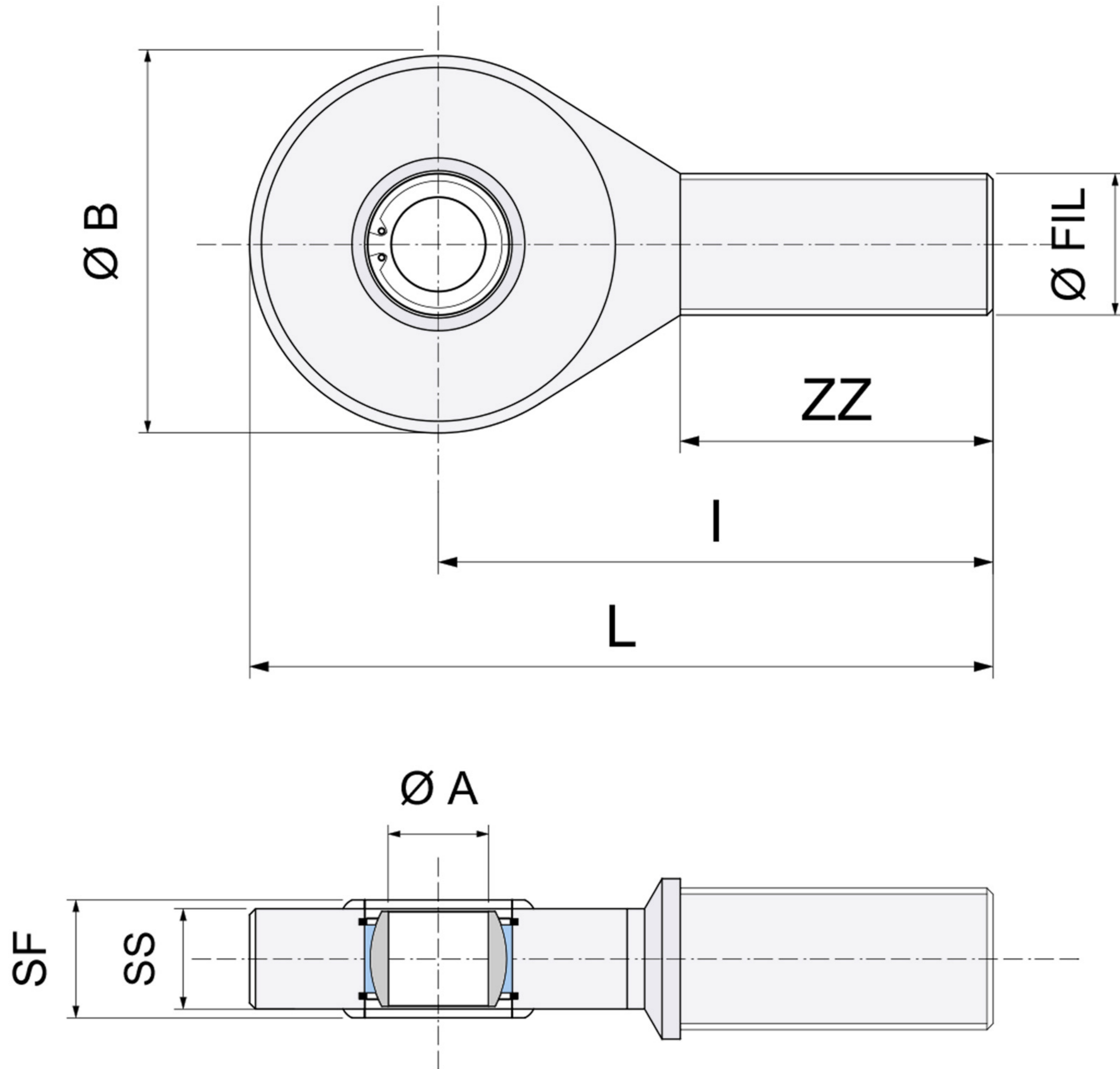


FE-M

TERMINALE A SNODO ISO 12240-4
BALL JOINT END ISO 12240-.4



	A	I	SS	D1	S1	L	FIL	LF
FEM40D-2RS	40	150	28	93	23	196	M42x3	86
FEM45D-2RS	45	163	32	102	27	214	M45x3	94
FEM50D-2RS	50	185	35	112	30	241	M52X3	106
FEM60D-2RS	60	210	44	135	38	277.5	M60x4	115
FEM70D-2RS	70	235	49	160	42	315	M72x4	125
FEM80D-2RS	80	270	55	180	48	360	M80x4	140