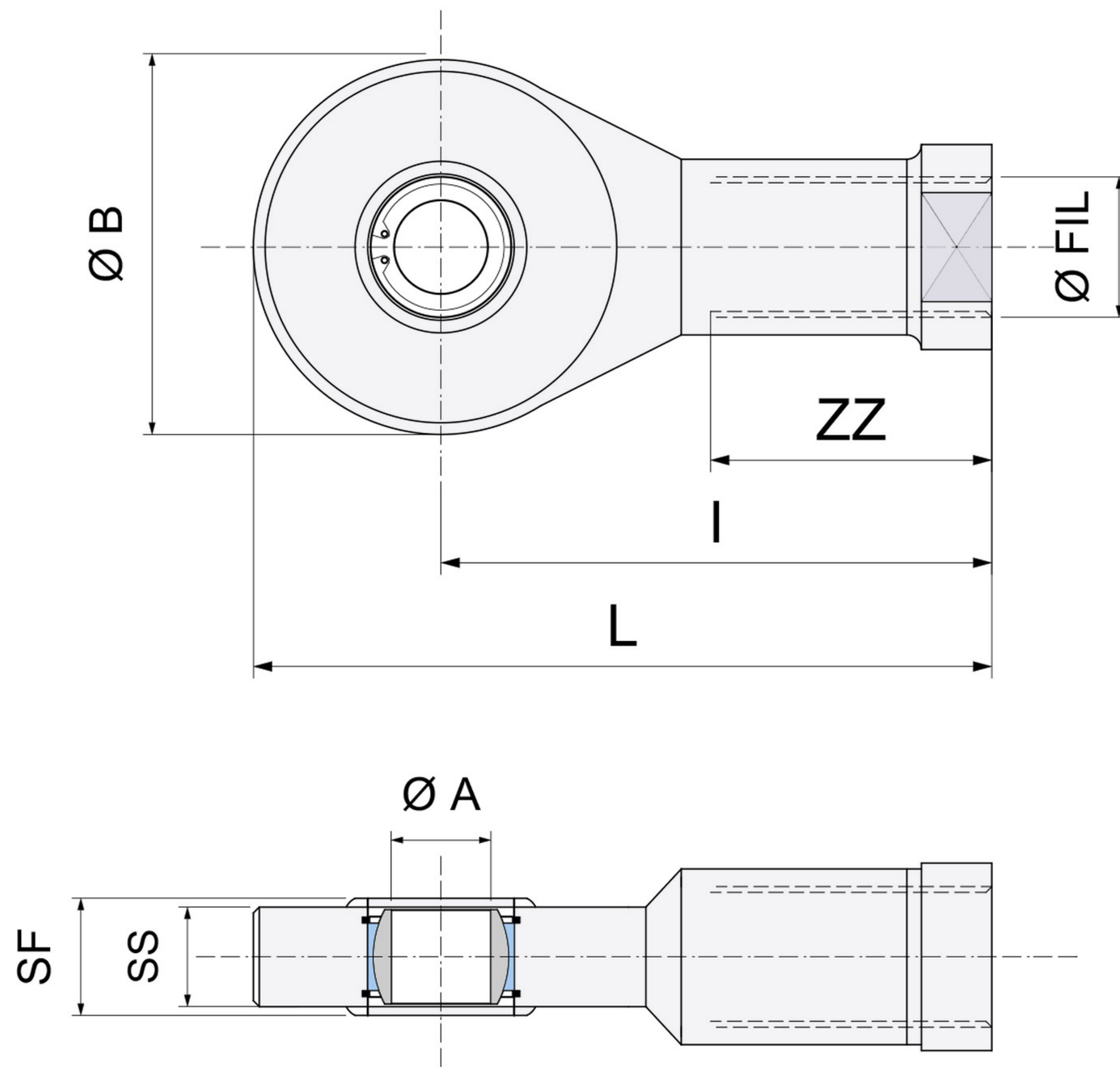


# FI-D

## TERMINALE A SNODO ISO 12240-4 BALL JOINT END ISO 12240-.4



	A	I	SS	B	SF	L	FIL	ZZ
FI6D	6	30	6	21	4.3	40.5	M6x1	11
FI8D	8	36	8	24	6	48	M8x1.25	15
FI10D	10	43	9	29	7	57.5	M10x1.5	20
FI12D	12	50	10	34	8	67	M12x1.75	23
FI15D	15	61	12	40	10	81	M14x2	30
FI17D	17	67	14	46	11	90	M16x2	34
FI20D	20	77	16	53	13	103.5	M20x1.5	40
FI25D	25	94	20	64	17	126	M24x2	48
FI30D	30	110	22	73	19	146.5	M30x2	56
VERSIONE CON 2RS – 2RS VERSION								
FI35D-2RS	35	125	25	82	21	166	M36x3	60
FI40D-2RS	40	142	28	94	23	188	M39x3	65
FI45D-2RS	45	145	32	102	27	196	M42x3	65
FI50D-2RS	50	160	35	112	30	216	M45x3	68
FI60D-2RS	60	175	44	135	37	242.5	M52x3	70
FI70D-2RS	70	200	49	162	42	280	M56x4	80
FI80D-2RS	80	230	55	180	48	320	M64x4	85