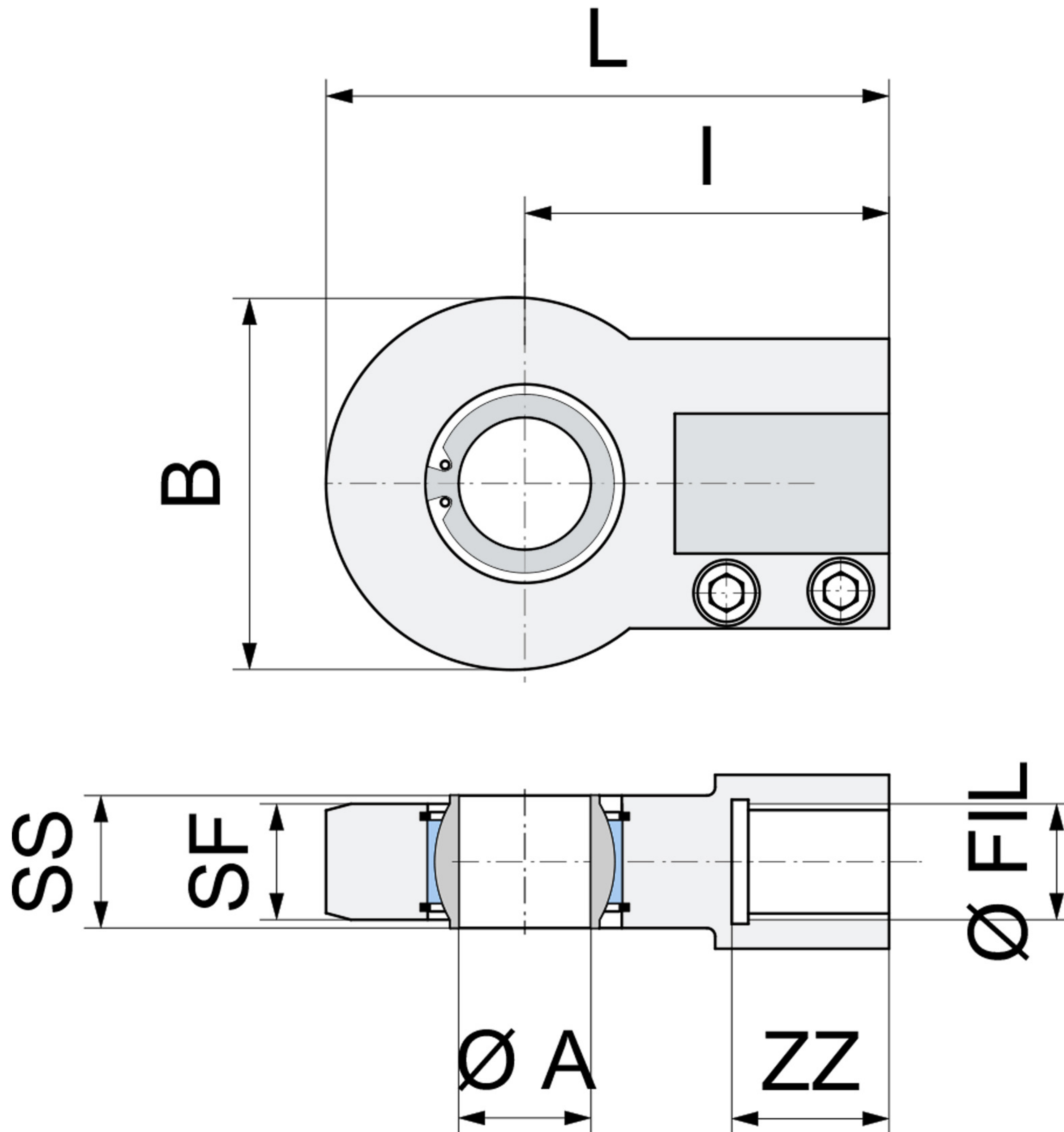


# MAD-FO

TERMINALE A SNODO ISO 12240-1  
BALL JOINT END ISO 12240-1



	A	I	B	SS	SF	L	FIL	ZZ
MA20D-FO	20 - 0.010	65	56	20 - 0.12	23	95	M18X2	30
MA25D-FO	25 - 0.010	75	64	22 - 0.12	28	109	M24X2	35
MA30D-FO	30 - 0.012	90	78	25 - 0.12	30	132	M30X2	45
MA35D-FO	35 - 0.012	105	94	28 - 0.12	35	155	M39X3	55
MA45D-FO	45 - 0.012	135	116	35 - 0.12	40	198	M50X3	75
MA50D-FO	50 - 0.015	170	130	44 - 0.15	50	240	M64X3	95
MA60D-FO	60 - 0.015	195	154	49 - 0.15	55	278	M80X3	110
MA70D-FO	70 - 0.015	210	176	55 - 0.15	60	305	M90X3	120
MA80D-FO	80 - 0.020	250	206	60 - 0.20	65	363	M100X3	140