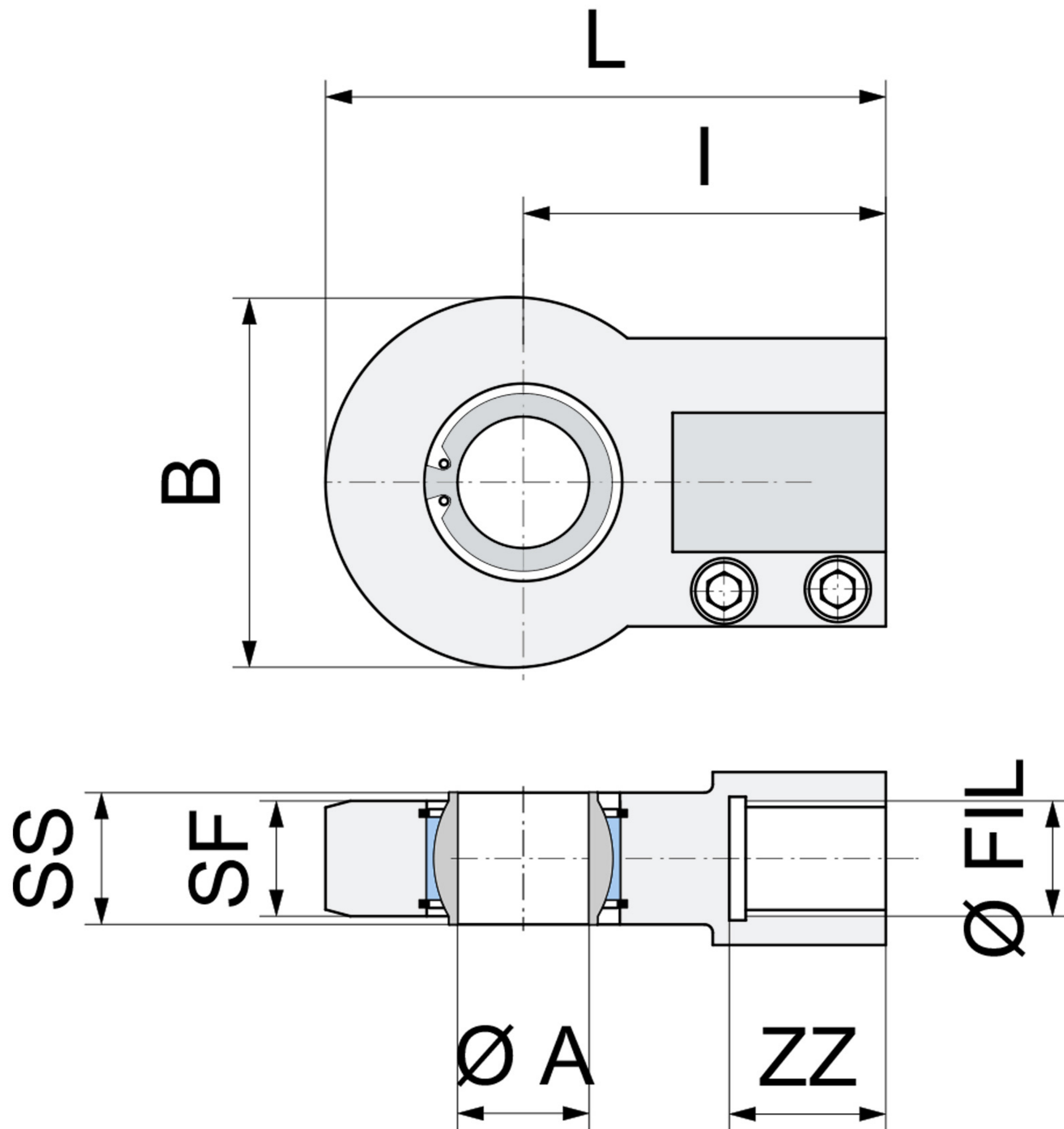


# MAD

## TERMINALE A SNODO ISO 12240-1 BALL JOINT END ISO 12240-1



	A	I	B	SS	SF	L	FIL	ZZ
MA25D	25 - 0.010	65	56	20 - 0.12	23	95	M18X2	30
MA30D	30 - 0.010	75	64	22 - 0.12	28	109	M24X2	35
MA35D	35 - 0.012	90	78	25 - 0.12	30	132	M30X2	45
MA40D	40 - 0.012	105	94	28 - 0.12	35	155	M39X3	55
MA50D	50 - 0.012	135	116	35 - 0.12	40	198	M50X3	75
MA60D	60 - 0.015	170	130	44 - 0.15	50	240	M64X3	95
MA70D	70 - 0.015	195	154	49 - 0.15	55	278	M80X3	110
MA80D	80 - 0.015	210	176	55 - 0.15	60	305	M90X3	120
MA90D	90 - 0.020	250	206	60 - 0.20	65	363	M100X3	140
MA110D	110 - 0.020	300	264	70 - 0.20	80	442	M120X4	145
MA120D	120 - 0.020	360	340	85 - 0.20	90	540	M150X4	177
MA160D	160 - 0.020	460	480	105 - 0.20	110	710	M180X4	200