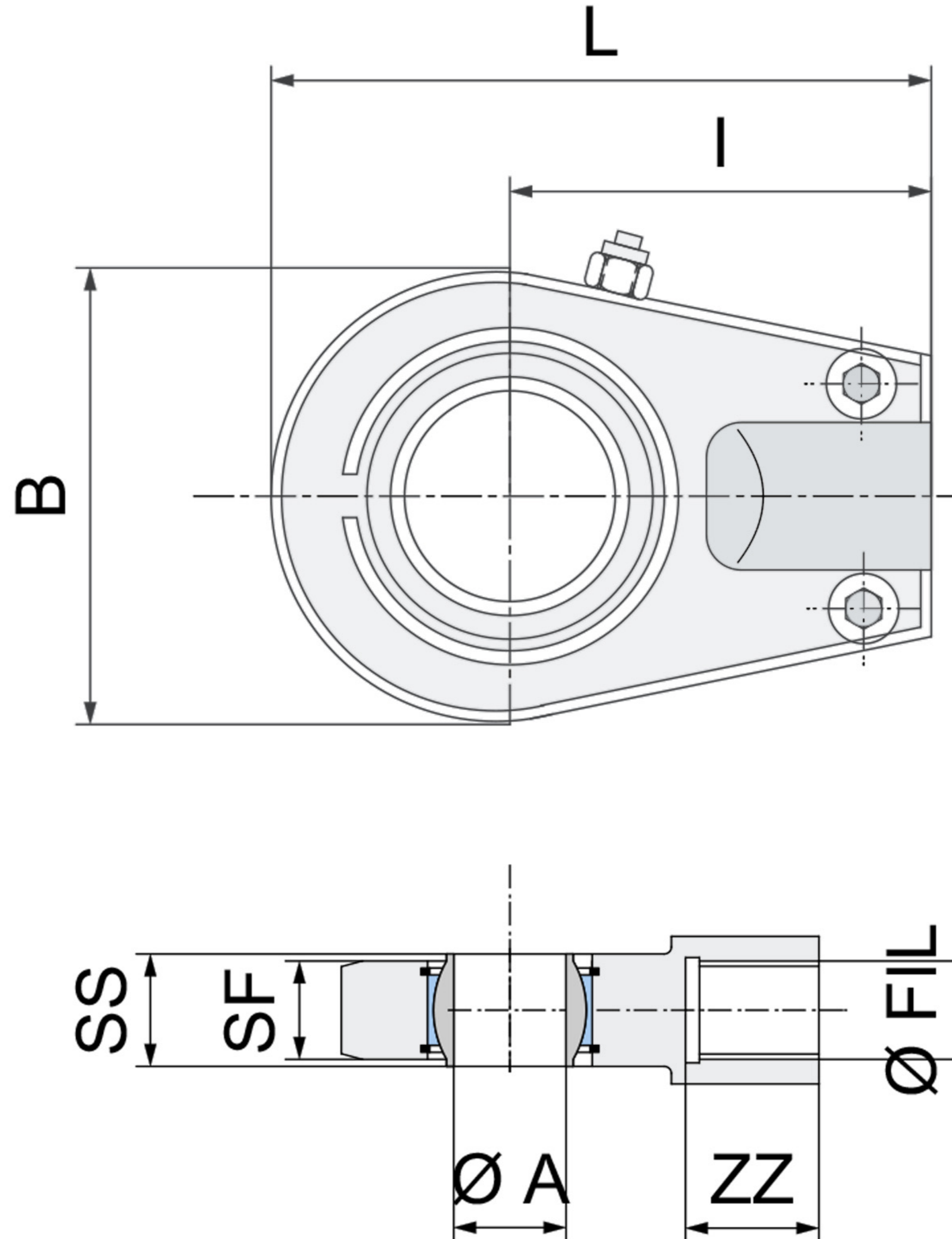


# PR-N

## TERMINALE A SNODO ISO 12240-1 BALL JOINT END ISO 12240-1



	A	SS	I	B (LARGHEZZA)	SF	L	FIL	ZZ (L FIL)
PR20-N	20	16	50	56	19	80	M16X1.5	17
PR25-N	25	20	50	56	23	80	M16X1.5	17
PR30-N	30	22	60	64	28	94	M22X1.5	23
PR35-N	35	25	70	78	30	112	M28X1.5	29
PR40-N	40	28	85	94	35	135	M35X1.5	36
PR50-N	50	35	105	116	40	168	M45X1.5	46
PR60-N	60	44	130	130	50	200	M58X1.5	59
PR70-N	70	49	150	154	55	232	M65X1.5	66
PR80-N	80	55	170	176	60	265	M80X2	81
PR90-N	90	60	210	206	65	322	M100X2	101
PR100-N	100	70	235	230	70	360	M110X2	111
PR110-N	110	70	265	265	80	407	M120X3	125
PR120-N	120	85	310	340	90	490	M130X3	135