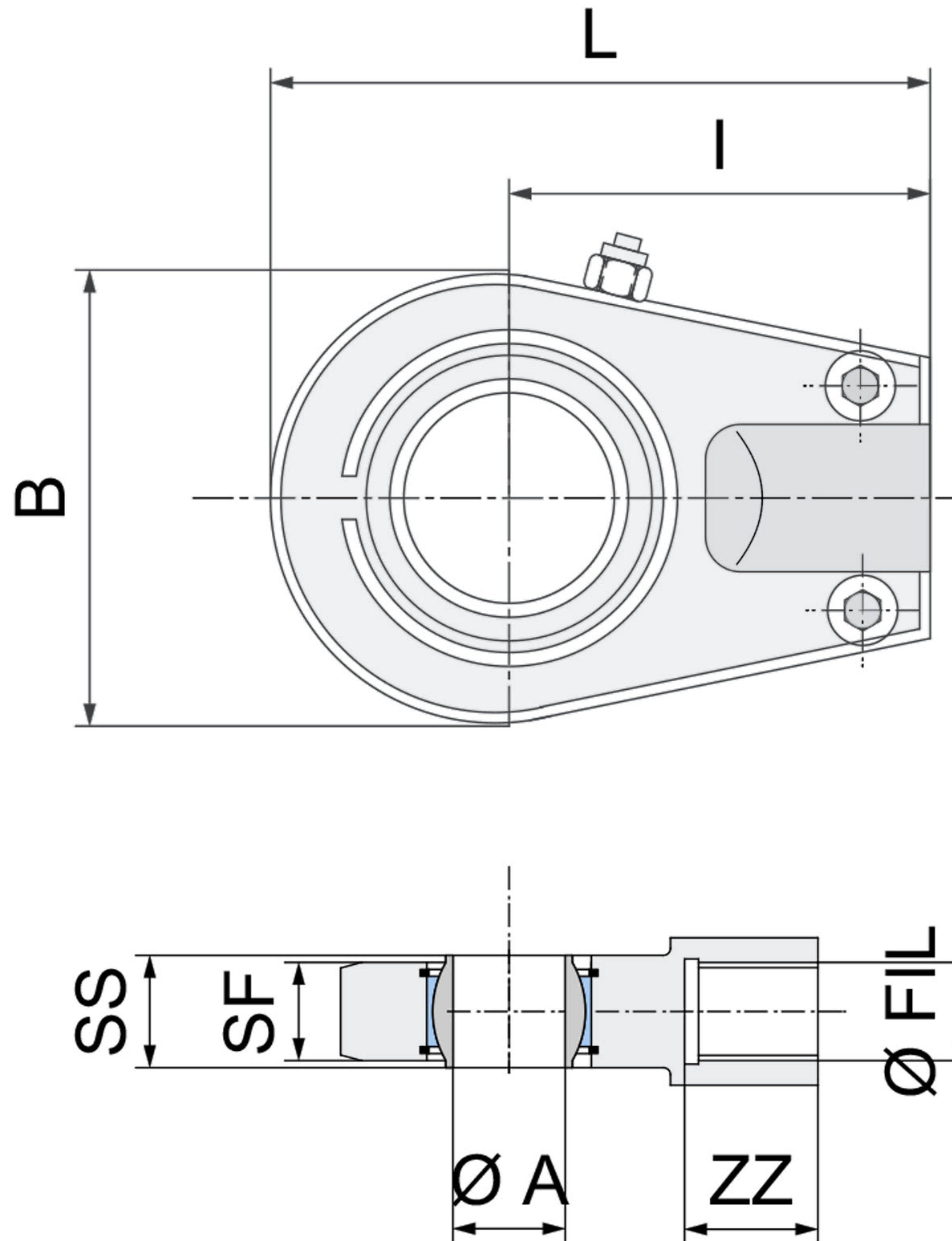


# PR-U

## TERMINALE A SNODO ISO 12240-1 BALL JOINT END ISO 12240-1



	A	I	SS	B	SF	L	F	ZZ (LUNG FIL)
PR20U	20	50	16	56	19	80	M16X1.5	17
PR25U	25	50	20	56	23	80	M16X1.5	17
PR30U	30	60	22	64	28	94	M22X1.5	23
PR35U	35	70	25	78	30	112	M28X1.5	29
PR40U	40	85	28	94	35	135	M35X1.5	36
PR50U	50	105	35	116	40	168	M45X1.5	46
PR60U	60	130	44	130	50	200	M58X1.5	59
PR70U	70	150	49	157	55	232	M65X1.5	66
PR80U	80	170	55	178	60	265	M80X2	81
PR90U	90	210	60	210	65	323	M100X2	101
PR100U	100	235	70	234	70	360.7	M110X2	111
PR110U	110	265	70	270	80	408.2	M120X3	125
PR120U	120	310	85	342	90	490	M130X3	135