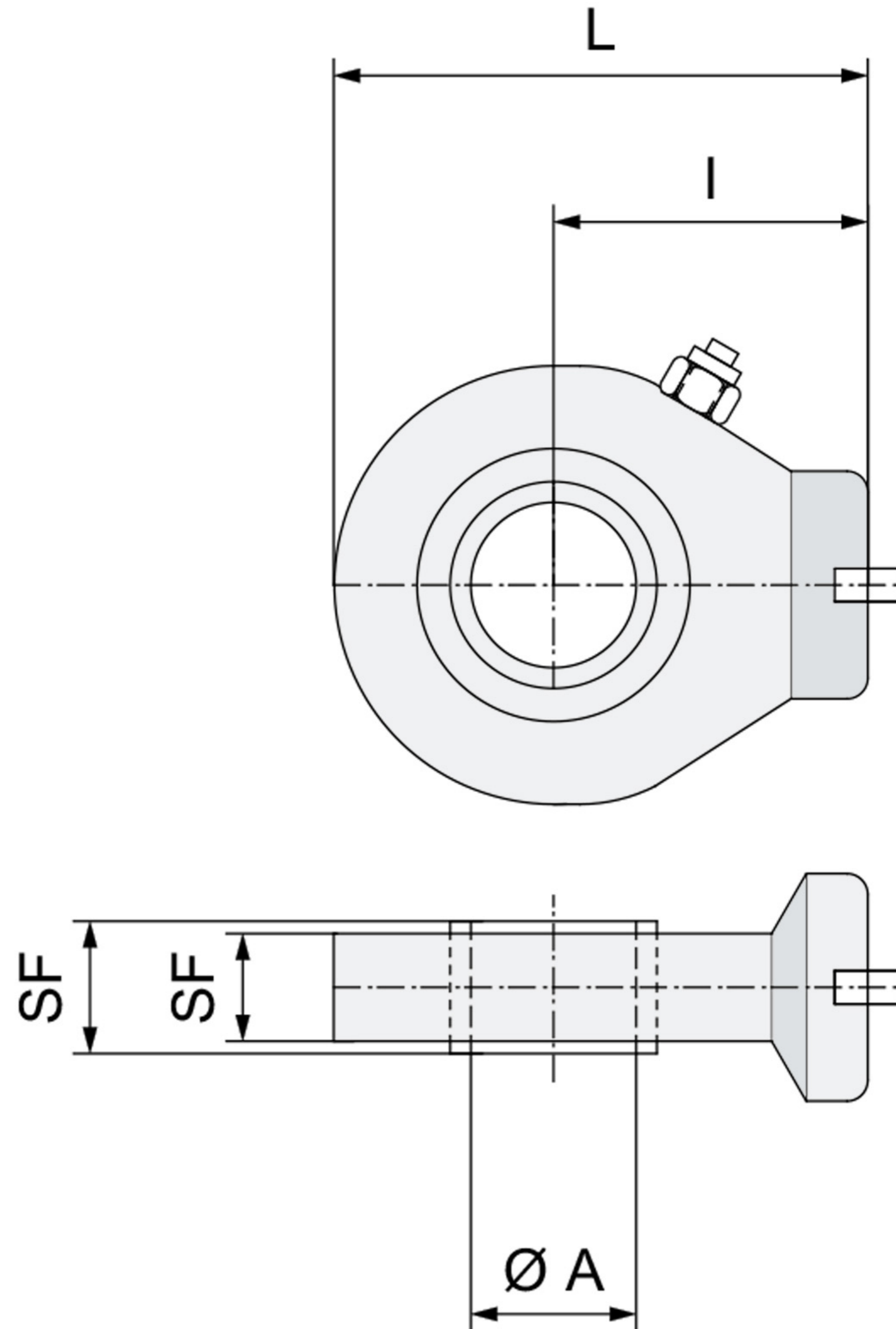


SC

TERMINALE A SNODO ISO 12240-4
BALL JOINT END ISO 12240-4



	A	SS	I	L	SF
S10C	10	9	24	39	7
S12C	12	10	27	44	8
S15C	15	12	31	51	10
S16C	16	14	35	58	11
S17C	17	14	35	58	11
S20C	20	16	38	65	13
S25C	25	20	45	77	17
S30C	30	22	51	88	19
S35C	35	25	61	102	21
S40C	40	28	69	115	23
S45C	45	32	77	128	27
S50C	50	35	88	144	30
S60C	60	44	100	168	38
S70C	70	49	115	195	42
S80C	80	55	141	231	47