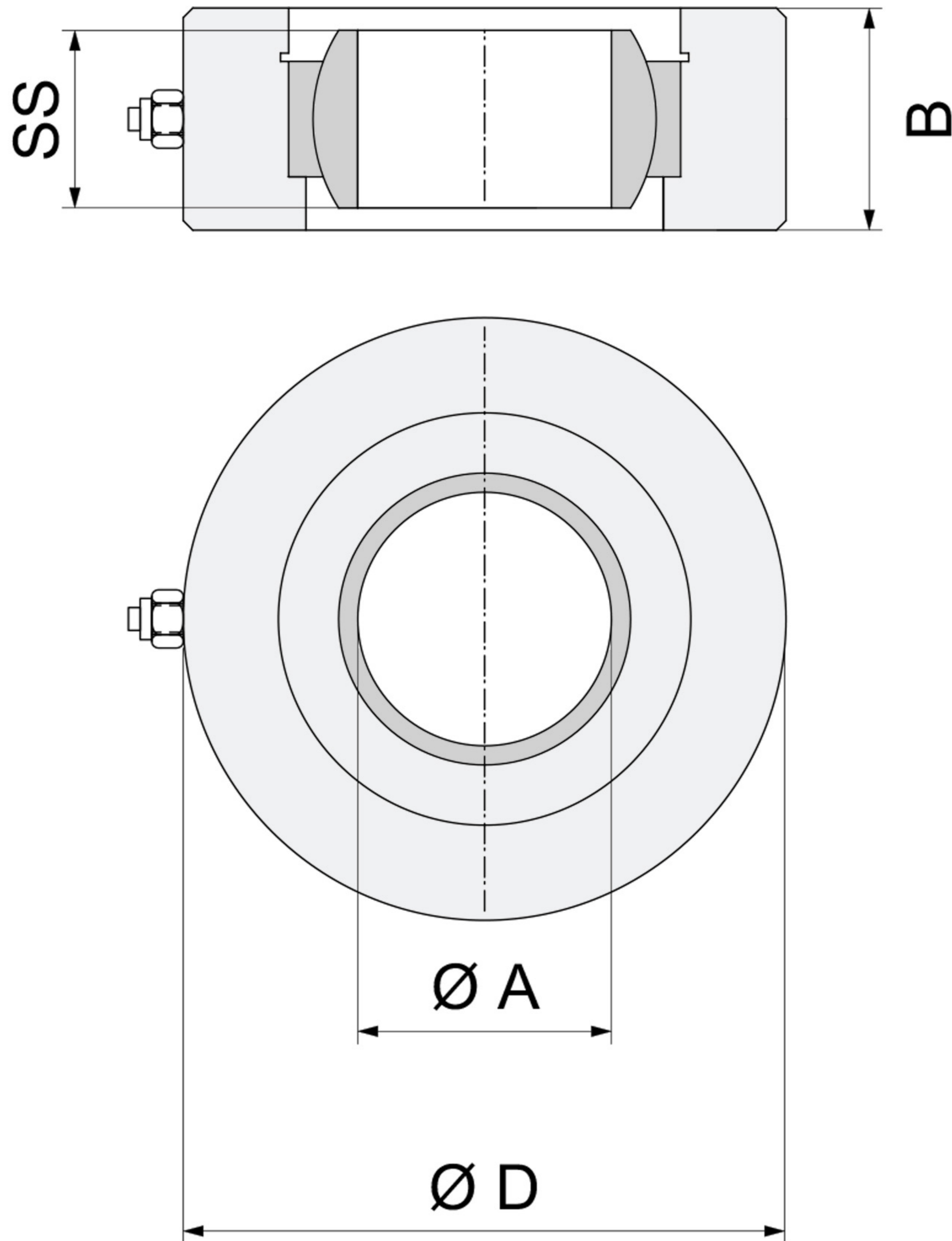


**SGE****TERMINALE A SNODO ISO 12240-4**  
BALL JOINT END ISO 12240-4

	A	SS	D (DIAMETRO EST)	B (LARGHEZZA)
S20-GE	20	16	50	19
S25-GE	25	20	60	23
S30-GE	30	22	70	28
S35-GE	35	25	85	30
S40-GE	40	28	95	35
S45-GE	45	32	110	40
S50-GE	50	35	120	40
S60-GE	60	44	138	50