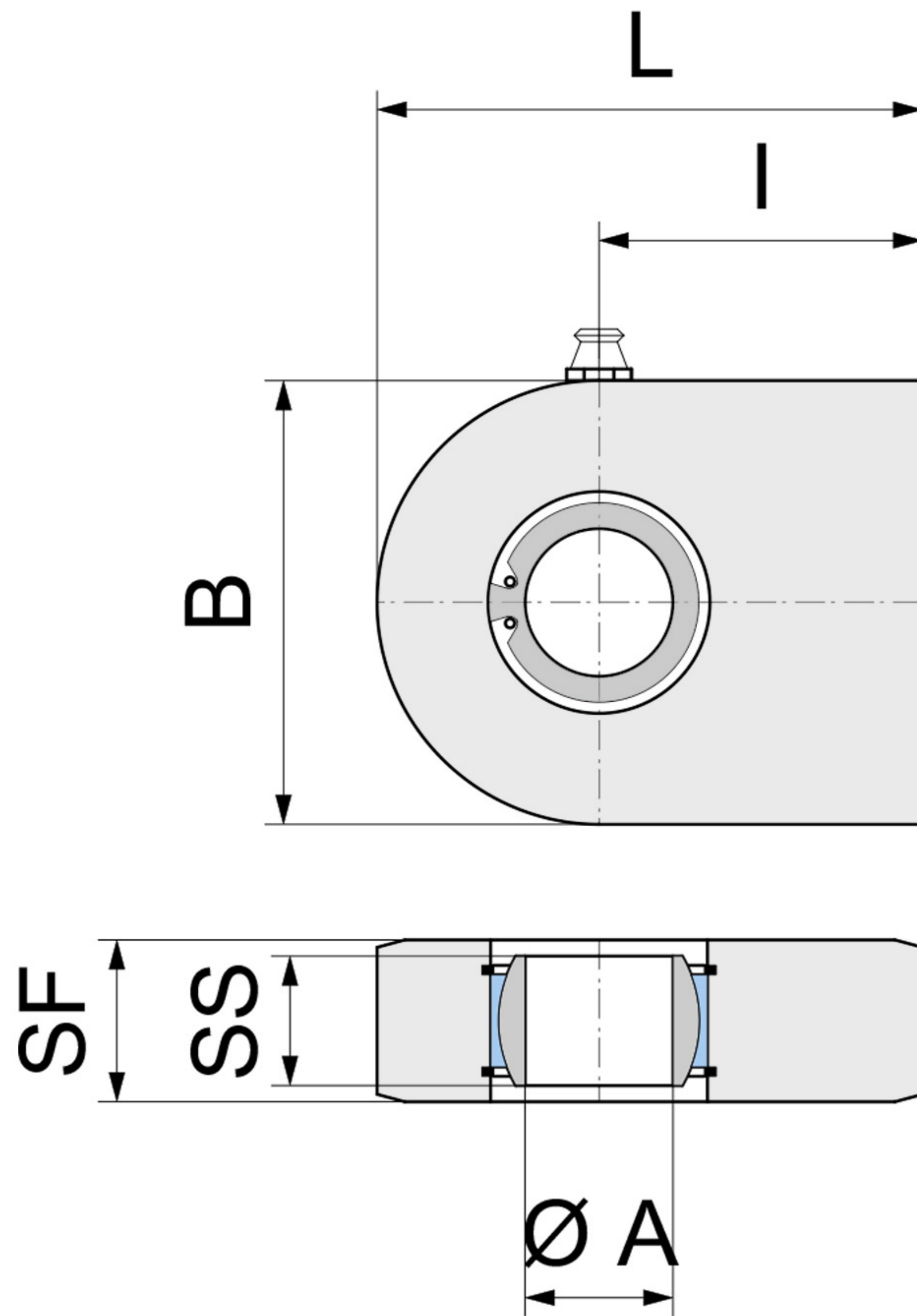


SN-FO

TERMINALE A SNODO ISO 12240-4
BALL JOINT END ISO 12240-4



	A	SS	I	B (LARGHEZZA)	SF	L
S15N-FO	15	16	35	48	17.5	59
S17N-FO	17	20	38	50	19	63
S20N-FO	20	25	45	55	23	72.5
S25N-FO	25	28	51	65	28	83.5
S30N-FO	30	32	61	93	30	102.5
S35N-FO	35	35	59	100	35	119
S40N-FO	40	40	77	110	40	132
S45N-FO	45	43	88	123	40	149.5
S50N-FO	50	56	100	140	50	170
S60N-FO	60	63	115	164	55	197
S70N-FO	70	70	141	180	60	231
S80N-FO	80	75	150	226	65	263
S90N-FO	90	85	170	250	70	295
S100N-FO	100	85	185	295	80	332.5
S110N-FO	110	100	210	360	90	390