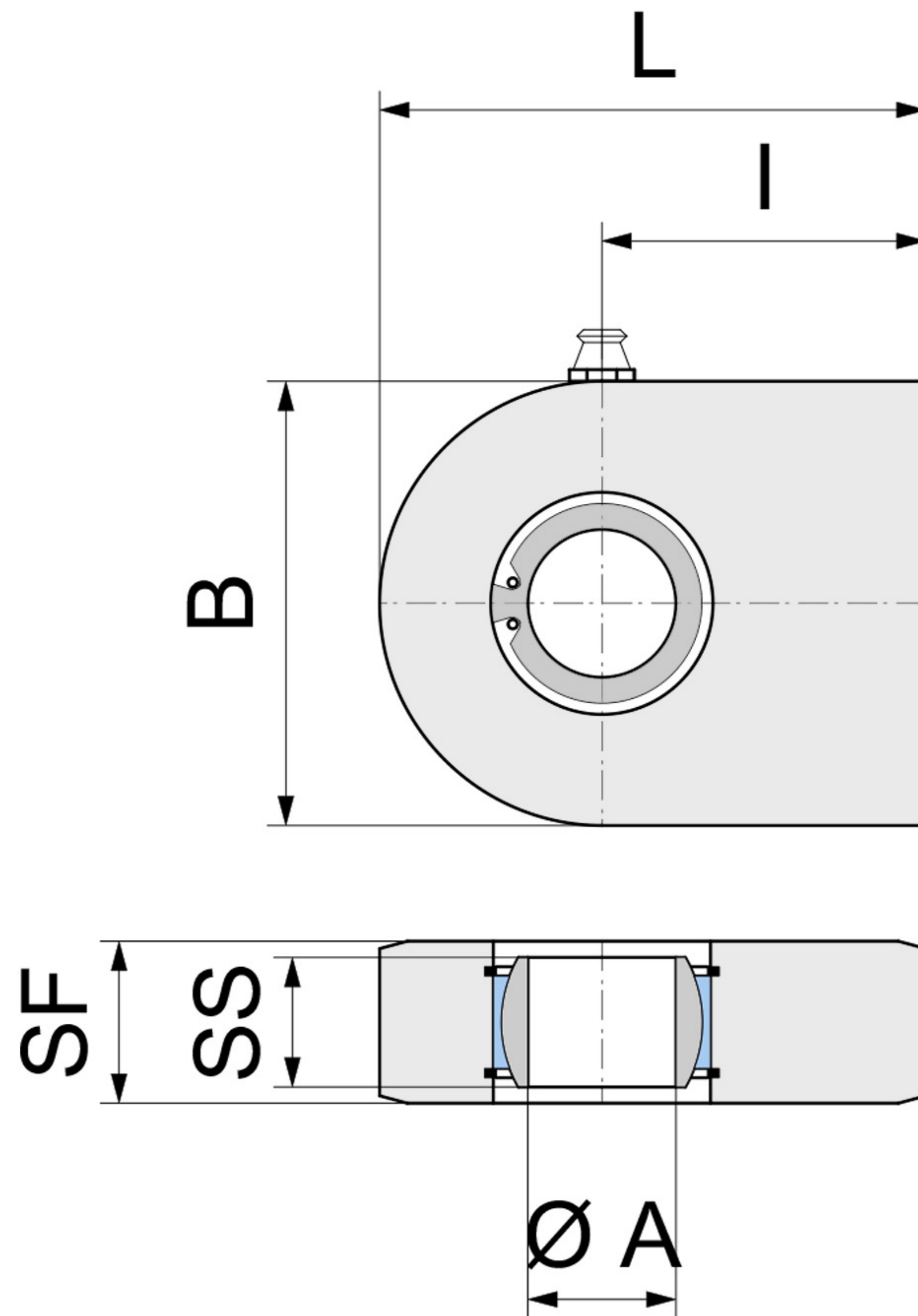


SN

TERMINALE A SNODO ISO 12240-4
BALL JOINT END ISO 12240-4



	A	SS	I	B (LARGHEZZA)	SF	L
S15N	15	12	31	45	16	53.5
S16N	16	14	35	48	17.5	59
S17N	17	14	35	48	17.5	59
S20N	20	16	38	50	19	63
S25N	25	20	45	55	23	72.5
S30N	30	22	51	65	28	83.5
S35N	35	25	61	83	30	102.5
S40N	40	28	69	100	35	119
S45N	45	32	77	110	40	132
S50N	50	35	88	123	40	149.5
S60N	60	44	100	140	50	170
S70N	70	49	115	164	55	197
S80N	80	55	141	180	60	231
S90N	90	60	150	226	65	263
S100N	100	70	170	250	70	295
S110N	110	70	185	295	80	332.5
S120N	120	85	210	360	90	390